

ACE

ACCESS PANELS

ACE SLIM RANGE TO SUIT DRYLINING CEILING AND WALL SYSTEMS

FLUSH DOOR /BEADED FRAME

(FD/FF-CAT A SLIMLINE)

NON FIRE RATED

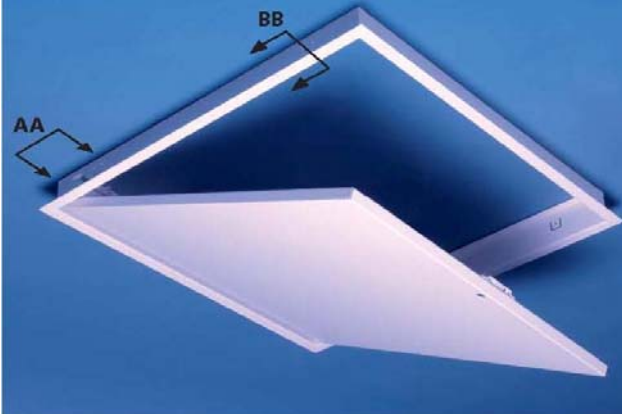


FIG 1 SECTION AA FLUSH DOOR WITH FLUSH FRAME

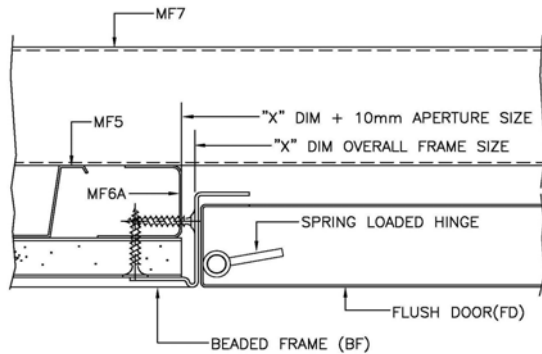
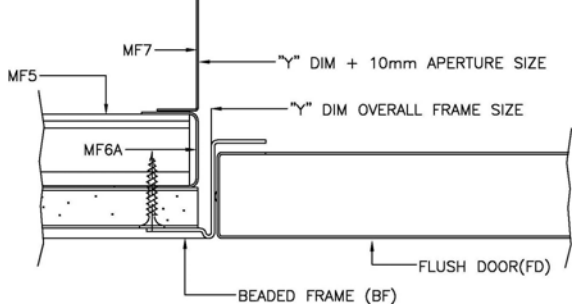


FIG 2 SECTION BB FLUSH DOOR WITH FLUSH FRAME



In modern buildings the provision for access into the ceiling void or wall cavity for inspection and maintenance to services are required. Ace have developed a comprehensive range of proprietary access panels that can be installed into any method of building construction, giving repeated ease of access. Dependent on the situation ACE's range or access panels will accommodate your particular situation. The flush door beaded frame access panel is constructed of a flush metal door fitted into a beaded frame. The frame has a perforated flange with a beaded stop detail to enable the frame to be tape and jointed/plastered into the ceiling, giving a jointless appearance.

CONSTRUCTION

Manufactured from 1.2mm and 1mm electro-galvanised, zinc coated mild steel.

All access panels are jig fabricated to ensure accuracy in

FINISHES

All ACE access panels are electrostatic powder coated white to RAL 9010 20% gloss.

Alternative colours are available from the RAL colour

INSTALLATION

Ace access panels should be screw fixed through the pre-punched holes in the side of the frame directly into the propriety grid.

Independent support may be necessary dependent on site conditions.

An allowance of +10mm greater that the panel size should be allowed in the structural opening.

LOCKING OPTIONS



Budget Lock (BL)

Panel Size	No of Doors	FD/BF/BL	FD/BF/CL
300 X 300	1	Yes	Yes
600 X 300	1	Yes	Yes
450 X 450	1	Yes	Yes
600 X 600	1	Yes	Yes
600 X 900	1	Yes	Yes
600 X 1200	1	Yes	Yes
600 X 1800	1	Yes	Yes

