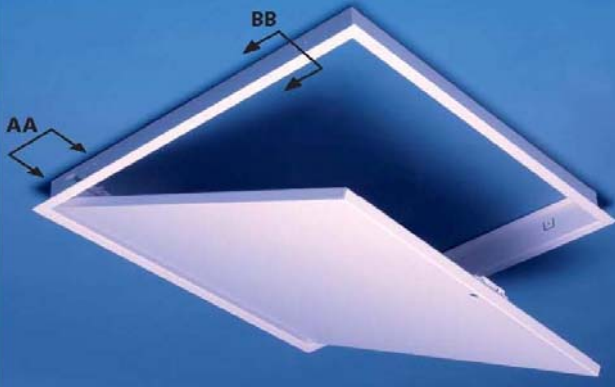


# ACE

## ACCESS PANELS

### ACE SLIM RANGE TO SUIT DRYLINING CEILING SYSTEMS

## FLUSH DOOR /FLUSH FRAME (FD/BF-CAT A SLIMLINE) NON FIRE RATED



The flush door, flush frame access panel is constructed of a flush metal door into a frame with a visible solid picture frame.

This panel is ideally suited when an access panel needs to be retro-fitted into any ceiling system.

The solid metal flange on the frame covers the cut edges of the aperture so no making good between ceiling and frame is necessary.

Once installed the door and frame can be decorated to match the surrounding ceiling.

Doors are fully demountable by use of the spring loaded hinge pin mechanism for quick and easy removal.

### CONSTRUCTION

Manufactured from 1.2mm and 1mm electro-galvanised, zinc coated mild steel.

All access panels are jig fabricated to ensure accuracy in tolerance during production.

### FINISHES

All ACE access panels are electrostatic powder coated white to RAL 9010 20% gloss.

Alternative colours are available from the RAL colour range.

### INSTALLATION

Ace access panels should be screw fixed through the pre-punched holes in the side of the frame directly into the propriety grid.

Independent support may be necessary dependent on site conditions.

An allowance of +10mm greater than the panel size should be allowed in the structural opening.

FIG 1 SECTION AA FLUSH DOOR WITH FLUSH FRAME

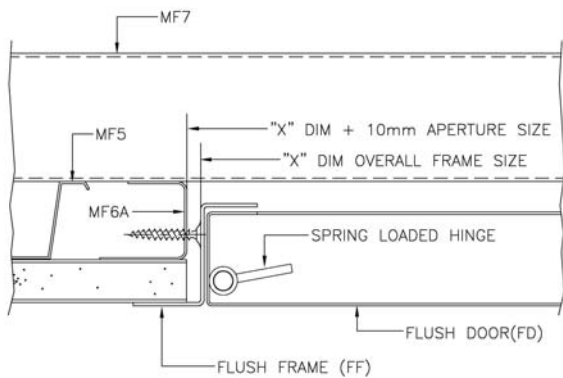
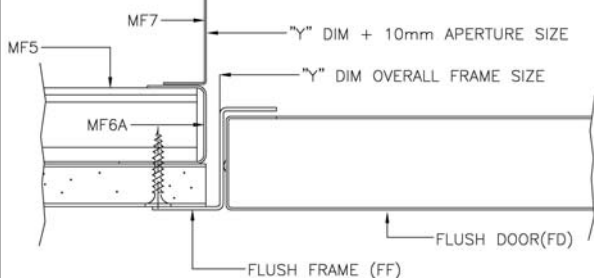


FIG 2 SECTION BB FLUSH DOOR WITH FLUSH FRAME



### LOCKING OPTIONS



Budget Lock (BL)

Panel Size	No of Doors	FD/FF/BL	FD/FF/CL
300 X 300	1	Yes	Yes
600 X 300	1	Yes	Yes
450 X 450	1	Yes	Yes
600 X 600	1	Yes	Yes
600 X 900	1	Yes	Yes
600 X 1200	1	Yes	Yes
600 X 1800	1	Yes	Yes

