

ACE

ACCESS PANELS

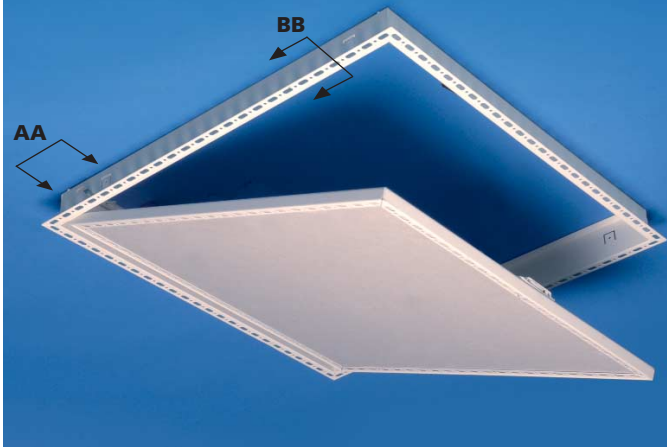


FIG 1 SECTION AA BEADED DOOR WITH BEADED FRAME

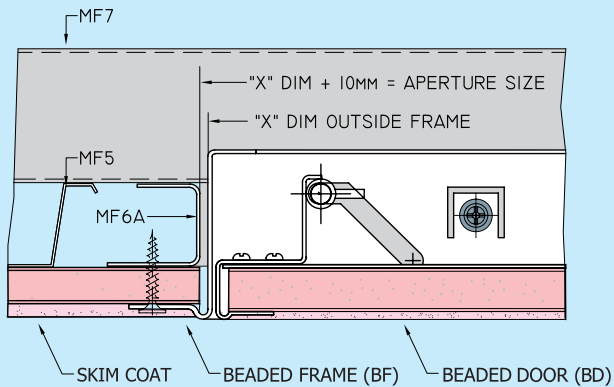
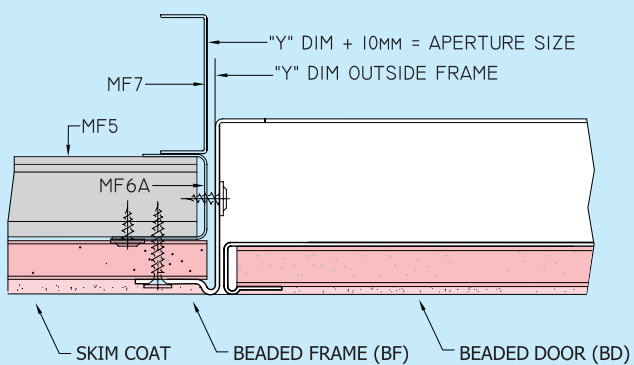
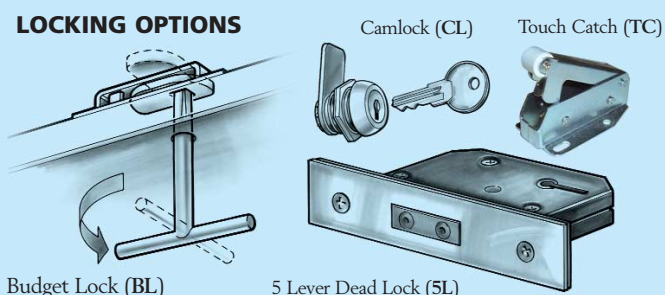


FIG 2 SECTION BB BEADED DOOR WITH BEADED FRAME



LOCKING OPTIONS



STANDARD RANGE TO SUIT DRYLINING CEILING SYSTEMS

BEADED DOOR/BEADED FRAME (BD/BF)

NON FIRE RATED

In modern buildings the provision for access into the ceiling void or wall cavity for inspection and maintenance to services are required.

Ace have developed a comprehensive range of proprietary access panels that can be installed into any method of building construction, giving repeated ease of access.

Dependent on the situation ACE's range of access panels will accommodate your particular situation.

The beaded door, beaded frame access panel is constructed of a beaded metal door into a beaded frame.

The door and frame have a perforated flange with a beaded stop detail to enable them to be tape and jointed/plastered into the ceiling giving a jointless appearance

Once installed the door and frame can be decorated to match the surrounding ceiling.

Doors are fully demountable by use of the spring loaded hinge pin mechanism for quick and easy removal.

CONSTRUCTION

Manufactured from 1.2mm and 1mm electro-galvanised, zinc coated mild steel.

All access panels are jig fabricated to ensure accuracy in tolerance during production.

FINISHES

All ACE access panels are electrostatic powder coated white to RAL 9010, 20% gloss.

INSTALLATION

Ace access panels should be screw fixed through the pre-punched holes in the side of the frame directly into the propriety grid.

Independent support may be necessary dependent on site conditions.

An allowance of +10mm greater than the panel size should be allowed in the structural opening.

STANDARD SIZES with lock options

Panel Size	No of Doors	BD/BF/BL	BD/BF/CL	BD/BF/TC	BD/BF/5L
300 x 300	1	Yes	Yes	Yes	Yes
600 x 300	1	Yes	Yes	Yes	Yes
450 x 450	1	Yes	Yes	Yes	Yes
600 x 600	1	Yes	Yes	Yes	Yes
600 x 900	1	Yes	Yes	Yes	Yes
600 x 1200	1	Yes	Yes	Yes	Yes
1200 x 1200	2	Yes	Yes	N/A	Yes
1500 x 1500	2	Yes	Yes	N/A	Yes

*Other Sizes are available please contact ACE with your exact requirements
Most of the above products are in stock or readily available.*

ACE CEILING PRODUCTS LTD.

Arley Industrial Estate, Springhill, Arley, Coventry CV7 8HN, U.K.
Telephone: +44 (0) 1676 541333 Fax: +44 (0) 1676 541241

E-mail : enquiries@ace-ceilings.co.uk
www : ace-ceilings.co.uk