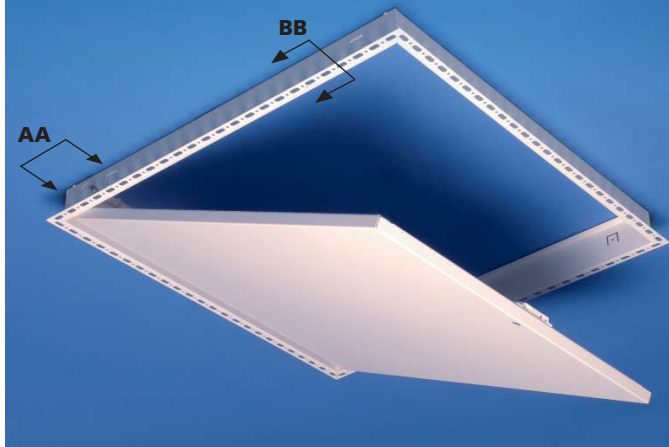


# ACE

## ACCESS PANELS



STANDARD RANGE TO SUIT  
DRYLINING CEILING SYSTEMS

## FLUSH DOOR/BEADED FRAME (FD/BF)

**NON FIRE RATED**

In modern buildings the provision for access into the ceiling void or wall cavity for inspection and maintenance to services are required.

Ace have developed a comprehensive range of proprietary access panels that can be installed into any method of building construction, giving repeated ease of access.

Dependent on the situation ACE's range of access panels will accommodate your particular situation.

The flush door beaded frame access panel is constructed of a flush metal door fitted into a beaded frame.

The frame has a perforated flange with a beaded stop detail to enable the frame to be tape and jointed/plastered into the ceiling, giving a jointless appearance.

Once installed, the door and frame can be decorated to match the surrounding ceiling.

Doors are fully demountable by use of the spring loaded hinge pin mechanism for quick and easy removal.

### CONSTRUCTION

Manufactured from 1.2mm and 1mm electro-galvanised, zinc coated mild steel.

All access panels are jig fabricated to ensure accuracy in tolerance during production.

### FINISHES

All ACE access panels are electrostatic powder coated white to RAL 9010, 20% gloss.

Alternative colours are available from the RAL colour range.

### INSTALLATION

Ace access panels should be screw fixed through the pre-punched holes in the side of the frame directly into the propriety grid.

Independent support may be necessary dependent on site conditions.

An allowance of +10mm greater than the panel size should be allowed in the structural opening.

### STANDARD SIZES with lock options

Panel Size	No of Doors	FD/BF/BL	FD/BF/CL	FD/BF/TC	FD/BF/5L
300 x 300	1	Yes	Yes	Yes	Yes
600 x 300	1	Yes	Yes	Yes	Yes
450 x 450	1	Yes	Yes	Yes	Yes
600 x 600	1	Yes	Yes	Yes	Yes
600 x 900	1	Yes	Yes	Yes	Yes
600 x 1200	1	Yes	Yes	Yes	Yes
1200 x 1200	2	Yes	Yes	N/A	Yes
1500 x 1500	2	Yes	Yes	N/A	Yes

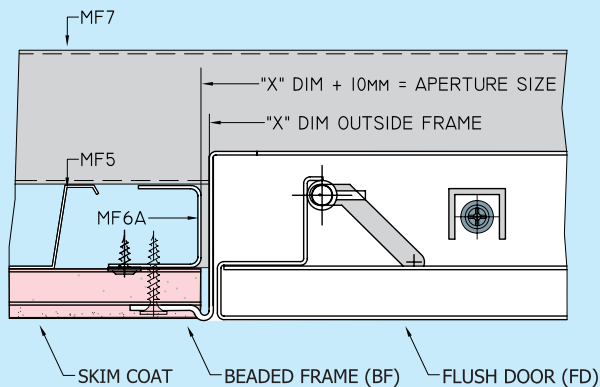
*Other Sizes are available please contact ACE with your exact requirements  
Most of the above products are in stock or readily available.*

### ACE CEILING PRODUCTS LTD.

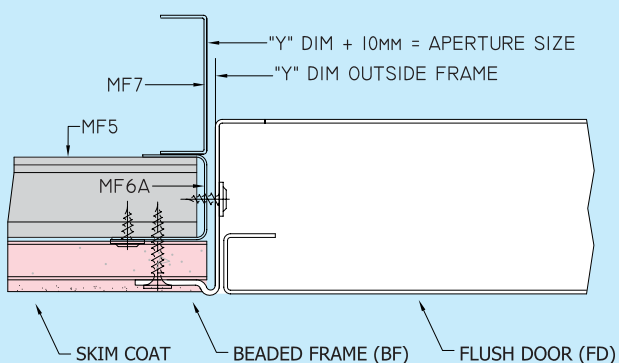
Arley Industrial Estate, Springhill, Arley, Coventry CV7 8HN, U.K.  
Telephone: +44 (0) 1676 541333 Fax: +44 (0) 1676 541241

E-mail : [enquiries@ace-ceilings.co.uk](mailto:enquiries@ace-ceilings.co.uk)  
www : [ace-ceilings.co.uk](http://ace-ceilings.co.uk)

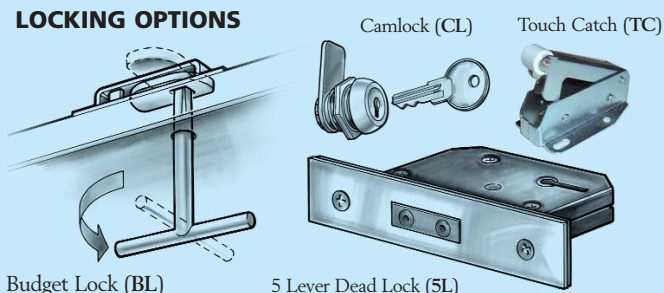
**FIG 1 SECTION AA FLUSH DOOR WITH BEADED FRAME**



**FIG 1 SECTION BB FLUSH DOOR WITH BEADED FRAME**



### LOCKING OPTIONS



Budget Lock (BL)

5 Lever Dead Lock (5L)