

ACE

ACCESS PANELS

STANDARD RANGE TO SUIT DRYLINING CEILING SYSTEMS

FLUSH DOOR/FLUSH FRAME (FD/FF)

NON FIRE RATED

In modern buildings the provision for access into the ceiling void or wall cavity for inspection and maintenance to services are required.

Ace have developed a comprehensive range of proprietary access panels that can be installed into any method of building construction, giving repeated ease of access.

Dependent on the situation ACE's range of access panels will accommodate your particular situation.

The flush door, flush frame access panel is constructed of a flush metal door into a frame with a visible solid picture frame.

This panel is ideally suited when an access panel needs to be retro-fitted into any ceiling system.

The solid metal flange on the frame covers the cut edges of the aperture so no making good between ceiling and frame is necessary.

Once installed the door and frame can be decorated to match the surrounding ceiling.

Doors are fully demountable by use of the spring loaded hinge pin mechanism for quick and easy removal.

CONSTRUCTION

Manufactured from 1.2mm and 1mm electro-galvanised, zinc coated mild steel.

All access panels are jig fabricated to ensure accuracy in tolerance during production

FINISHES

All ACE access panels are electrostatic powder coated white to RAL 9010, 20% gloss.

Alternative colours are available from the RAL colour range.

INSTALLATION

Ace access panels should be screw fixed through the pre-punched holes in the side of the frame directly into the propriety grid. Independent support may be necessary dependent on site conditions.

An allowance of +10mm greater than the panel size should be allowed in the structural opening.

STANDARD SIZES with lock options

Panel Size	No of Doors	FD/FF/BL	FD/FF/CL	FD/FF/TC	FD/FF/5L
300 x 300	1	Yes	Yes	Yes	Yes
600 x 300	1	Yes	Yes	Yes	Yes
450 x 450	1	Yes	Yes	Yes	Yes
600 x 600	1	Yes	Yes	Yes	Yes
600 x 900	1	Yes	Yes	Yes	Yes
600 x 1200	1	Yes	Yes	Yes	Yes
1200 x 1200	2	Yes	Yes	N/A	Yes
1500 x 1500	2	Yes	Yes	N/A	Yes

Other Sizes are available please contact ACE with your exact requirements
Most of the above products are in stock or readily available.

ACE CEILING PRODUCTS LTD.

Arley Industrial Estate, Springhill, Arley, Coventry CV7 8HN, U.K.
Telephone: +44 (0) 1676 541333 Fax: +44 (0) 1676 541241

E-mail : enquiries@ace-ceilings.co.uk
www : ace-ceilings.co.uk



FIG 1 SECTION AA FLUSH DOOR WITH FLUSH FRAME

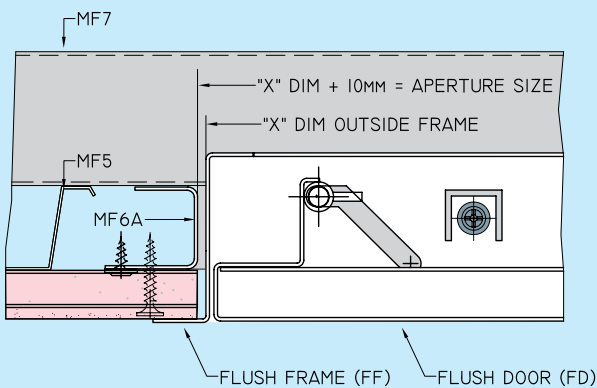
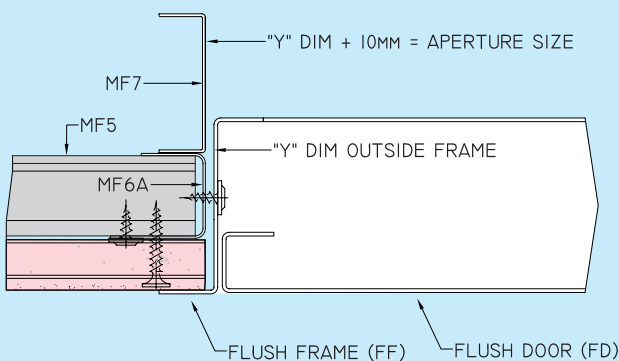


FIG 2 SECTION BB FLUSH DOOR WITH FLUSH FRAME



LOCKING OPTIONS

