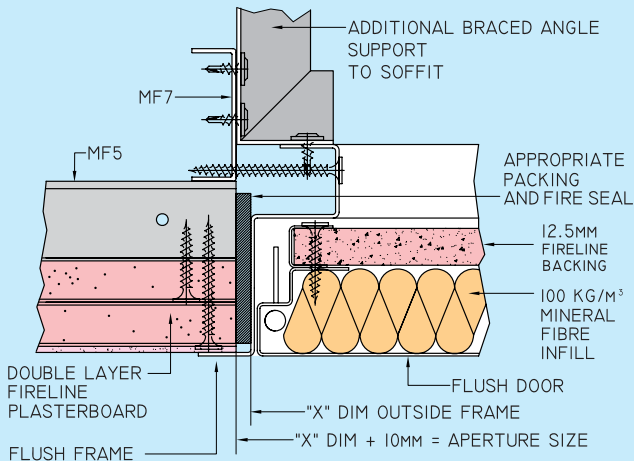


ACE

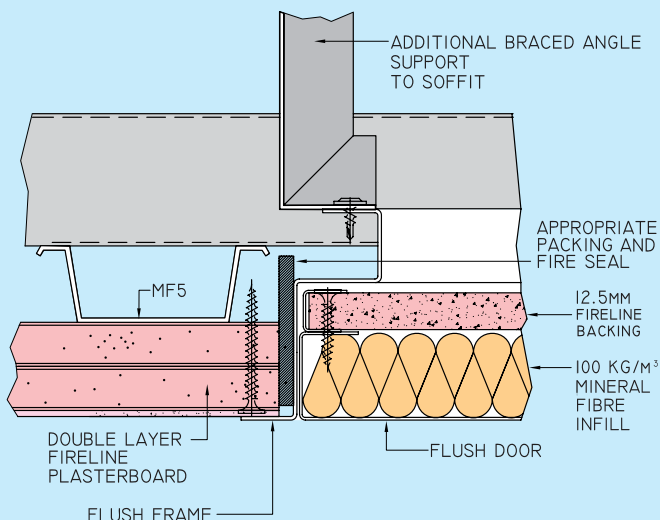
ACCESS PANELS



**FIG 1 SECTION AA FLUSH DOOR WITH FLUSH FRAME
FIRE RATED**



**FIG 2 SECTION BB FLUSH DOOR WITH FLUSH FRAME
FIRE RATED**



STANDARD RANGE TO SUIT DRYLINING CEILING SYSTEMS

FLUSH DOOR/FLUSH FRAME (FD/FF)

**FIRE RATED & CONSTRUCTED
IN ACCORDANCE WITH
B.S 476 PART 20 AND PART 23**

In modern buildings the provision for access into the ceiling void or wall cavity for inspection and maintenance to services are required.

Ace have developed a comprehensive range of proprietary access panels that can be installed into any method of building construction, giving repeated ease of access.

Dependent on the situation ACE's range of access panels will accommodate your particular situation.

The Flush Door, Flush Frame Fire Rated access panel is constructed of a flush metal door into a frame with a visible solid picture frame.

This access panel comes as a composite panel, complete with a backing of 12.5mm fireline plasterboard, a infill of 30mm thick 100 k/g per m³ insulation and a flush metal faced door.

The solid metal flange on the frame covers the cut edges of the aperture so no making good between ceiling and frame is necessary.

Once installed the door and frame can be decorated to match the surrounding ceiling.

Doors are fully demountable by use of the spring loaded hinge pin mechanism for quick and easy removal.

CONSTRUCTION

Manufactured from 1.2mm and 1mm electro-galvanised, zinc coated mild steel. All access panels are jig fabricated to ensure accuracy in tolerance during production

FINISHES

All ACE access panels are electrostatic powder coated white to RAL 9010, 20% gloss.

Alternative colours are available from the RAL colour range.

INSTALLATION

Ace access panels should be screw fixed through the pre-punched holes in the side of the frame directly into the propriety grid. Independent support may be necessary dependent on site conditions. An allowance of +10mm greater than the panel size should be allowed in the structural opening.

FIRE RESISTANCE TEST

A fire resistance test was performed on a 900mm x 900mm panel fitted into a double layer 2 hr fire rated plasterboard ceiling assembly, below a "I" section Steel Beam.

The test was conducted to temperature and pressure conditions of BS 476 Part 20 1987 and Part 23 1987

The requirements of the above standard were maintained for 139 minutes giving effective protection for this period.

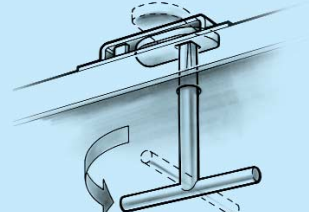
Test Reference Chilt/IF06009 Dated 31st May 2006 Chiltern International Fire Ltd



STANDARD SIZES with lock option

Panel Size	No of Doors	FD/FF/BL
300 x 300	1	Yes
600 x 300	1	Yes
450 x 450	1	Yes
600 x 600	1	Yes
600 x 900	1	Yes
900 x 900	1	Yes

LOCK OPTION



Budget Lock (BL)

Other Sizes are available please contact ACE with your exact requirements
Most of the above products are in stock or readily available.

ACE CEILING PRODUCTS LTD.

Arley Industrial Estate, Springhill, Arley, Coventry CV7 8HN, U.K.
Telephone: +44 (0) 1676 541333 Fax: +44 (0) 1676 541241

E-mail : enquiries@ace-ceilings.co.uk
www : ace-ceilings.co.uk