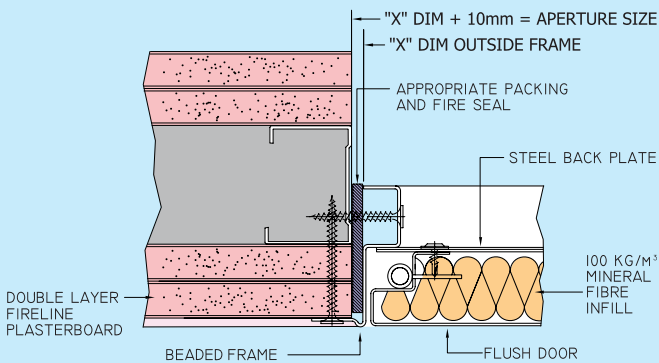


# ACE

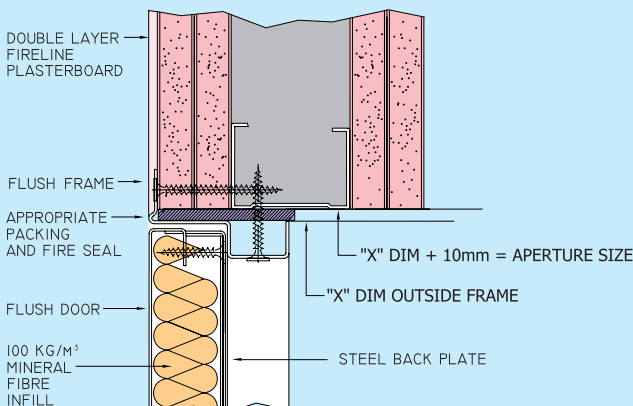
## ACCESS PANELS



**FIG 1 SECTION AA FLUSH DOOR WITH BEADED FRAME  
FIRE RATED**



**FIG 2 SECTION BB FLUSH DOOR WITH BEADED FRAME  
FIRE RATED**



STANDARD RANGE  
TO SUIT DRYLINING WALL AND  
PARTITION SYSTEMS

## FLUSH DOOR/BEADED FRAME (FD/BF)

**FIRE RATED & CONSTRUCTED  
IN ACCORDANCE WITH  
B.S 476 PART 20 AND PART 22**

In modern buildings the provision for access into the ceiling void or wall cavity for inspection and maintenance to services are required. Ace have developed a comprehensive range of proprietary access panels that can be installed into any method of building construction, giving repeated ease of access.

Dependent on the situation ACE's range of access panels will accommodate your particular situation.

The Flush Door, Beaded Frame Wall Access Panel is constructed of a flush metal door into a frame with a visible solid picture frame.

This access panel comes as a composite panel, complete with a backing of 0.9mm Electro Zinc Coated Mild Steel, an infill of 30mm thick 100 k/g per m<sup>3</sup> insulation and a flush metal faced door.

The frame has a perforated flange with a beaded stop detail to enable the frame to be tape and jointed/plastered into the wall lining, giving a jointless appearance

Once installed the door and frame can be decorated to match the surrounding wall.

Doors are fully demountable by use of the spring loaded hinge pin mechanism for quick and easy removal

### CONSTRUCTION

Manufactured from 1.2mm and 1mm electro-galvanised, zinc coated mild steel. All access panels are jig fabricated to ensure accuracy in tolerance during production

### FINISHES

All ACE access panels are electrostatic powder coated white to RAL 9010, 20% gloss. Alternative colours are available from the RAL colour range.

### INSTALLATION

Ace access panels should be screw fixed through the pre-punched holes in the side of the frame directly into the propriety stud or blockwork.

Independent support may be necessary dependent on site conditions. An allowance of +10mm greater than the panel size should be allowed in the structural opening.

### FIRE RESISTANCE TEST

A fire resistance test was performed on a 900mm x 900mm panel fitted into a double layer 2 hr fire rated plasterboard Wall assembly.

The test was conducted to the principles of BS 476 Part 20 1987 The requirements of the above standard were maintained for 132 minutes giving effective protection for this period.

Test Reference Chilt/IF06008 Dated 26st May 2006 Chiltern International Fire Ltd



### STANDARD SIZES with lock option

Panel Size	No of Doors	FD/BF/BL
300 x 300	1	Yes
600 x 300	1	Yes
450 x 450	1	Yes
600 x 600	1	Yes
600 x 900	1	Yes
900 x 900	1	Yes

Other Sizes are available please contact ACE with your exact requirements  
Most of the above products are in stock or readily available.

### ACE CEILING PRODUCTS LTD.

Arley Industrial Estate, Springhill, Arley, Coventry CV7 8HN, U.K.  
Telephone: +44 (0) 1676 541333 Fax: +44 (0) 1676 541241

E-mail : enquiries@ace-ceilings.co.uk  
www : ace-ceilings.co.uk

### LOCK OPTION

